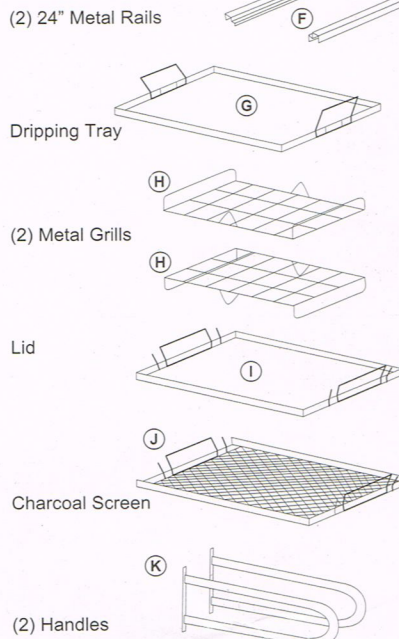
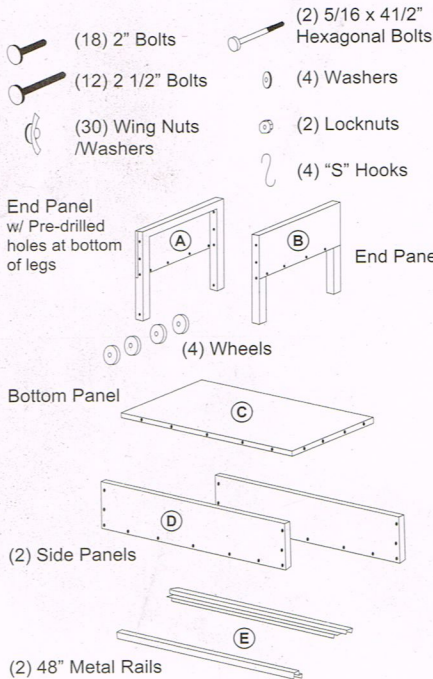
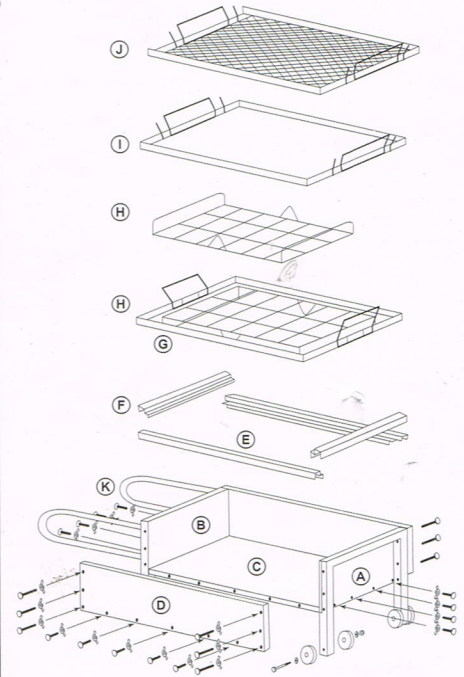


Caja Asadora - Assembling Instructions

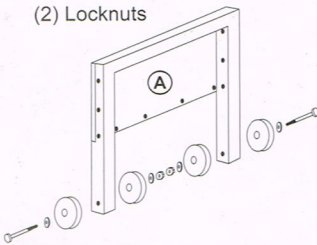
PARTS



GENERAL OVERVIEW

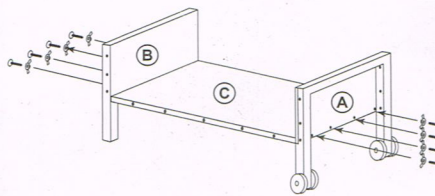


- ① Requires: End Panel A
(2) Hexagon bolts
(4) Washers
(4) Wheels
(2) Locknuts



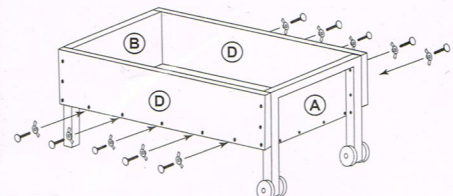
STEP 1: ATTACHING WHEELS
Take hexagon bolt and insert washer, followed by 1st wheel. Install through drilled hole in leg of End Panel A. On the other side insert a second wheel and washer then secure with locknut. Repeat for the other leg.

- ② Requires: (8) 2" Bolts
(8) Wingnuts/Washers
End Panels A & B
Bottom C



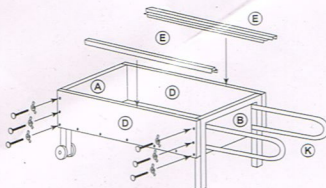
STEP 2: ATTACHING END PANELS A & B TO BOTTOM C MAKE SURE ALL METAL SIDES FACE INWARD.
Insert 2" bolts through holes as indicated below, with washers flush to the wood on underside. Tighten with wing nuts.

- ③ Requires:
(10) 2" Bolts
(10) Wing Nuts/Washers
(2) Side Panels D



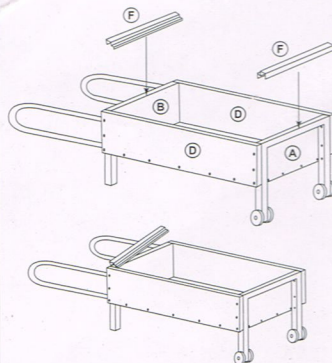
STEP 3: Follow same procedure as step #2 to attach side panels D to bottom panel C

- ④ Requires:
(2) 48" rails (E)
(12) 2 1/2" Bolts
(12) Wing Nuts/Washers
(2) Handles (K)



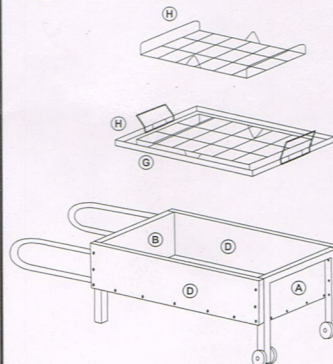
STEP 4: SECURING THE SIDES / HANDLES
Attach large metal rails (E) to side panels (D). Insert bolts through holes as indicated below with washer on inside flush to the wood. Insert handles (K) through first & third bolts on side (B). Tighten with wing nuts.

- ⑤ Requires:
(2) 24" rails (F)



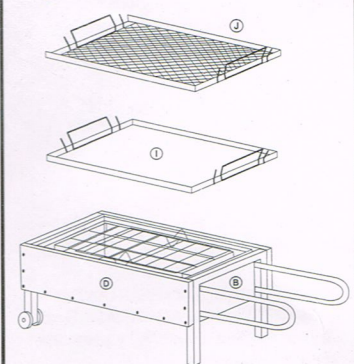
STEP 5: Take short rails (F) and snap onto end panels A & B as indicated below.

- ⑥



STEP 6: INSIDE LA CAJA CHINA Lay dripping tray (G) inside box followed by grills (H)

- ⑦



STEP 7: Lid (I) will lay on rails (E) & (F) when assembly is complete. Charcoal screen (J) will then lay on lid.